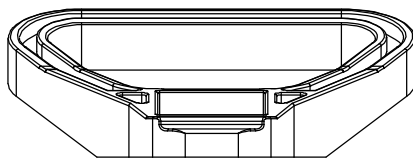
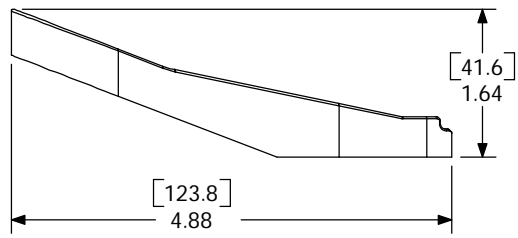
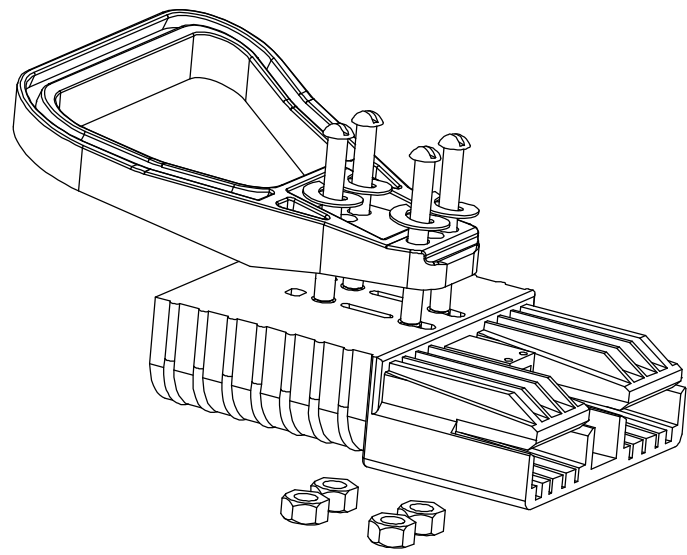
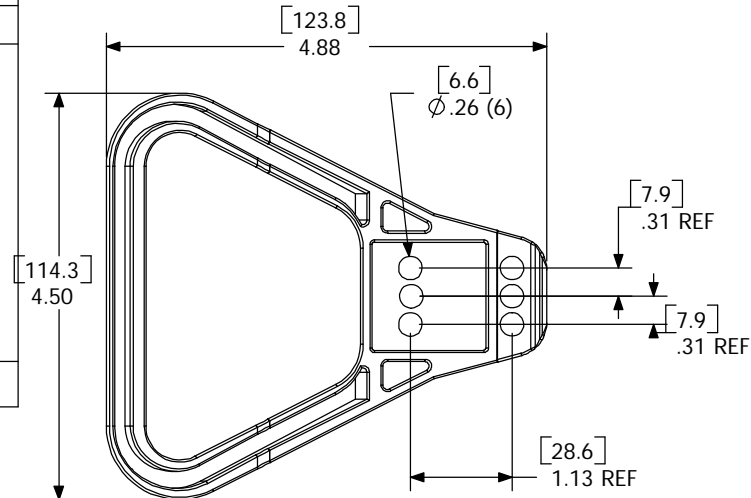


8 7 6 5 4 3 2 1

THE INFORMATION CONTAINED IN THIS DRAWING IS THE SOLE PROPERTY OF ANDERSON POWER PRODUCTS. ANY REPRODUCTION IN PART OR WHOLE WITHOUT THE WRITTEN PERMISSION OF ANDERSON POWER PRODUCTS IS PROHIBITED.

D  
BY: \_\_\_\_\_ DATE \_\_\_\_\_  
C  
REV. \_\_\_\_\_ DESCRIPTION OF CHANGES \_\_\_\_\_



CAT. NO.	SERIES	COLOR
995G1	SBX175	GRAY
995G3	SBX175	RED
995G2	SBX350	GRAY
995G4	SBX350	RED

NOTES:

1. A HARDWARE KIT COMPRISED OF FOUR EACH: SCREWS, LOCK WASHERS AND NUTS IS INCLUDED WITH THE HANDLE.
2. THE HANDLE IS THE SAME SIZE FOR BOTH THE SBX175 AND SBX350 CONNECTORS, HOWEVER THE HARDWARE KIT IS DIFFERENT.
3. HANDLE MATERIAL IS UL94-V0 POLYCARBONATE

ITEM NO.	PART OR IDENTIFYING NO.	NOMENCLATURE OR DESCRIPTION	MATERIAL SPECIFICATION	QTY RECD
COPYRIGHT 1999 ANDERSON POWER PRODUCTS. ALL RIGHTS RESERVED. UNAUTHORIZED REPRODUCTION HEREBY PROHIBITED.				
DIMENSIONS ARE IN INCHES DIMENSIONS IN PARENTHESES [] ARE IN MILLIMETERS		CAD GENERATED DRAWING. DO NOT MANUALLY UPDATE	<b>ANDERSON POWER PRODUCTS</b>	
TOLERANCES ARE: 2PL- ±.02 [±.5]		APPROVALS		
MATERIALS: SEE NOTES		DRAWN	CMS	12/2/99
FINISH		CHECKED	DJD	1/31/00
NEXT ASSY		RESP ENG	UFN	2/1/00
USED ON		MFG ENG	CHB	2/1/00
APPLICATION		QUAL ENG	RPO	2/1/00
DO NOT SCALE DRAWING		SCALE	NONE	
			SIZE	A
			SPECIFICATION:	114212S1
			REV.	0
			CADFILES/01149	SHEET 1 OF 1

8 7 6 5 4 3 2 1